



# WHITMYER®

≡ Head Support Solutions

E: [info@dejay.com.au](mailto:info@dejay.com.au) W: [www.dejay.com.au](http://www.dejay.com.au)



Whitmyer is a product line of head supports and accessories that addresses the range of user needs from basic support to multiple-point control. A variety of pad shapes and sizes are available in single, two-pad or three-pad systems with each pad designed to address a specific support purpose.

This catalog was designed to help you clearly understand the Whitmyer headrest offering and to easily create a part number for each ordering.

# TABLE OF CONTENTS

## HEAD SUPPORTS



PLUSH



SPECIALTY PLUSH



CONTOUR CRADLE



S.O.F.T. SINGLE SUB-OCCIPITAL



S.O.F.T. DUAL SUB-OCCIPITAL Adult & Paediatric



HEADS UP



CUDDLES INFANT

## HARDWARE SYSTEMS



AXYS



ONYX



LINX



PRO



COBRA XTRA Flip-Back

## HEAD SUPPORTS

- PLUSH Single Pad Headrest ..... 4
- SPECIALTY PLUSH Single Pad Headrest ..... 6
- CONTOURED CRADLE Single Pad Headrest ..... 8
- S.O.F.T. SINGLE SUB-OCCIPITAL ..... 10
- S.O.F.T. DUAL SUB-OCCIPITAL Adult & Paediatric ..... 12
- HEADS UP Anterior Head Support System ..... 14
- CUDDLES INFANT Contoured Cradle or Triple Pad Headrest ..... 16

## ACCESSORIES

- LATERAL FACIAL SUPPORTS ..... 17
- ANTERIOR SUPPORT OPTIONS ..... 17

## HARDWARE SYSTEMS

- AXYS ..... 18
- ONYX ..... 18
- LINX ..... 18
- PRO ..... 18
- COBRA XTRA & COBRA XTRA Flip Back ..... 18
- CUSTOM MOUNTING OPTIONS ..... 19

PLUSH Single Pad Headrest Systems utilize dual density foam layers on a contoured, curved panel. These single pad headrests are easily adjustable and accommodate changes or inconsistencies in body positioning. Unique “cupping” shape provides posterior support with a high degree of comfort and safety. This basic headrest is ideal for tilt/recline, and has the ability to add lateral support, anterior support, or switches as client’s needs change. The larger size pads facilitate safety for clients with behavioral issues and active movements.

## PLUSH



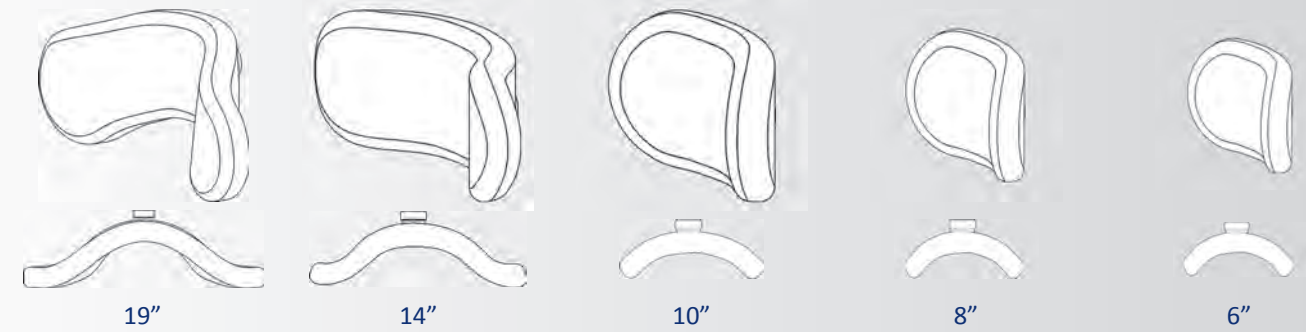
Check out the PLUSH’s versatility and adjustability in action.  
[www.YouTube.com/user/JAYCushionsandBacks](https://www.YouTube.com/user/JAYCushionsandBacks)  
 Click on the playlist: “Whitmyer Headrest Adjustment Systems”

Scan this QR code to view now!



## PLUSH ORDERING GUIDE





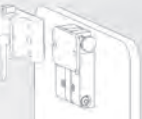


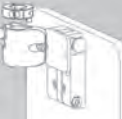
### DETERMINE PAD SIZE



### 2 SELECT HARDWARE SYSTEM AND PAD COVER (BASED ON PAD SIZE)

Pad Size	AXYS	ONYX	LINX	PRO	COBRA XTRA	COBRA XTRA Flip Back
	Part Numbers (Cover selection: L=Lycra V=Dartex Reversed)					
19"	AXYS-P4 L AXYS-P4 V	ONYX-P4 L ONYX-P4 V	LINX-P4 L LINX-P4 V	PRO-P4 L PRO-P4 V	COBRA-P4 L COBRA-P4 V	FB-COBRA-P4 L FB-COBRA-P4 V
14"	AXYS-P2 L AXYS-P2 V	ONYX-P2 L ONYX-P2 V	LINX-P2 L LINX-P2 V	PRO-P2 L PRO-P2 V	COBRA-P2 L COBRA-P2 V	FB-COBRA-P2 L FB-COBRA-P2 V
10"	AXYS-P1 L AXYS-P1 V	ONYX-P1 L ONYX-P1 V	LINX-P1 L LINX-P1 V	PRO-P1 L PRO-P1 V	COBRA-P1 L COBRA-P1 V	FB-COBRA-P1 L FB-COBRA-P1 V
8"	AXYS-P3 L AXYS-P3 V	ONYX-P3 L ONYX-P3 V	LINX-P3 L LINX-P3 V	PRO-P3 L PRO-P3 V	COBRA-P3 L COBRA-P3 V	FB-COBRA-P3 L FB-COBRA-P3 V
6"	AXYS-P8 L AXYS-P8 V	ONYX-P8 L ONYX-P8 V	LINX-P8 L LINX-P8 V	PRO-P8 L PRO-P8 V	COBRA-P8 L COBRA-P8 V	FB-COBRA-P8 L FB-COBRA-P8 V

### 3 SELECT MOUNTING BRACKET FOR HARDWARE SYSTEM

	Mounting Brackets				
	Detachable	Swing-Away	Swing-Away	Swing-Away	
	 M2500	 M2100	 M2300	 M2200	COBRA XTRA Hardware System includes detachable mounting bracket.
	 M5500	 M5100	 M5300	 M5200	Select COBRA XTRA Flip Back Hardware System for swing-away capability.

Specialty PLUSH Single Pad Headrest Systems are formerly custom solutions that are now offered as part of the standard product line including Adjust-A-PLUSH (shown below), Dual Mount and 12" Narrow pads.

## SPECIALTY PLUSH

### ADJUST-A-PLUSH

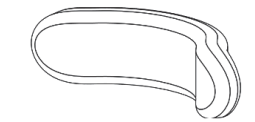
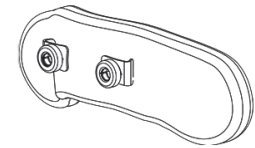
Designed for use on clients that exhibit poor head control and require lateral support on at least one side to maintain an upright head posture. Assists in controlling passive and active lateral cervical flexion. Suitable for clients with poor targeting that require some degree of lateral confinement in their headrest. The Adjust-A-PLUSH has two tapered locking joints that can be narrowed or widened to provide maximum lateral support. Zippered cover hides adjustment points.

### DUAL MOUNT PLUSH

An extra mount provides added strength making this head support ideal for high tone, high extension clients. The pad is offered in 19" and 14" widths.

### NARROW PLUSH

Offers low profile support in a 12" width.



Check out the SPECIALTY PLUSH's versatility and adjustability in action.

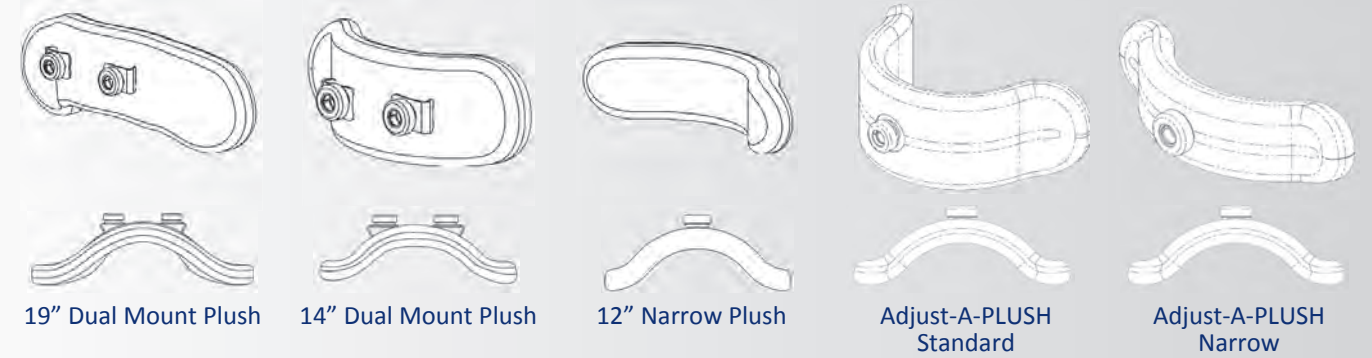
[www.YouTube.com/user/JAYCushionsandBacks](https://www.YouTube.com/user/JAYCushionsandBacks)  
Click on the playlist:  
"Whitmyer Headrest Adjustment Systems"

Scan this QR code to view now!



## SPECIALTY PLUSH ORDERING GUIDE

### DETERMINE PAD SIZE



### SELECT HARDWARE SYSTEM AND PAD COVER (BASED ON PAD SIZE)

2

	AXYS	ONYX	LINX	PRO	COBRA XTRA	COBRA XTRA Flip Back
	Part Numbers (Cover selection: L=Lycra V=Dartex Reversed)					
19" Dual	AXYS-P44 L AXYS-P44 V	ONYX-P44 L ONYX-P44 V	LINX-P44 L LINX-P44 V	PRO-P44 L PRO-P44 V	-	-
14" Dual	AXYS-P22 L AXYS-P22 V	ONYX-P22 L ONYX-P22 V	LINX-P22 L LINX-P22 V	PRO-P22 L PRO-P22 V	-	-
12" Narrow	AXYS-P12 L AXYS-P12 V	ONYX-P12 L ONYX-P12 V	LINX-P12 L LINX-P12 V	PRO-P12 L PRO-P12 V	COBRA-P12 L COBRA-P12 V	FB-COBRA-P12 L FB-COBRA-P12 V
A-A-P Std	AXYS-AP2 L AXYS-AP2 V	ONYX-AP2 L ONYX-AP2 V	LINX-AP2 L LINX-AP2 V	PRO-AP2 L PRO-AP2 V	COBRA-AP2 L COBRA-AP2 V	FB-COBRA-AP2 L FB-COBRA-AP2 V
A-A-P Narrow	AXYS-AP1 L AXYS-AP1 V	ONYX-AP1 L ONYX-AP1 V	LINX-AP1 L LINX-AP1 V	PRO-AP1 L PRO-AP1 V	COBRA-AP1 L COBRA-AP1 V	FB-COBRA-AP1 L FB-COBRA-AP1 V

### SELECT MOUNTING BRACKET FOR HARDWARE SYSTEM

3

	Mounting Brackets				
Detachable					COBRA XTRA Hardware System includes detachable mounting bracket.
	M2500	M2100	M2300	M2200	
Swing-Away					Select COBRA XTRA Flip Back Hardware System for swing-away capability.
	M5500	M5100	M5300	M5200	

Contoured Cradle Head Support's positioning success is derived from its unique anatomic shape. Generically designed to cradle the occiput and provide lateral cervical support, this unit supplies a high degree of comfort and positioning in a simple-to-adjust head support. A single rotational collar adjustment allows positioning for maximum support surface contact. Four pad sizes fit infant to adult. Add lateral facial pads, switches, and/or anterior support for more versatility.

## CONTOURED CRADLE



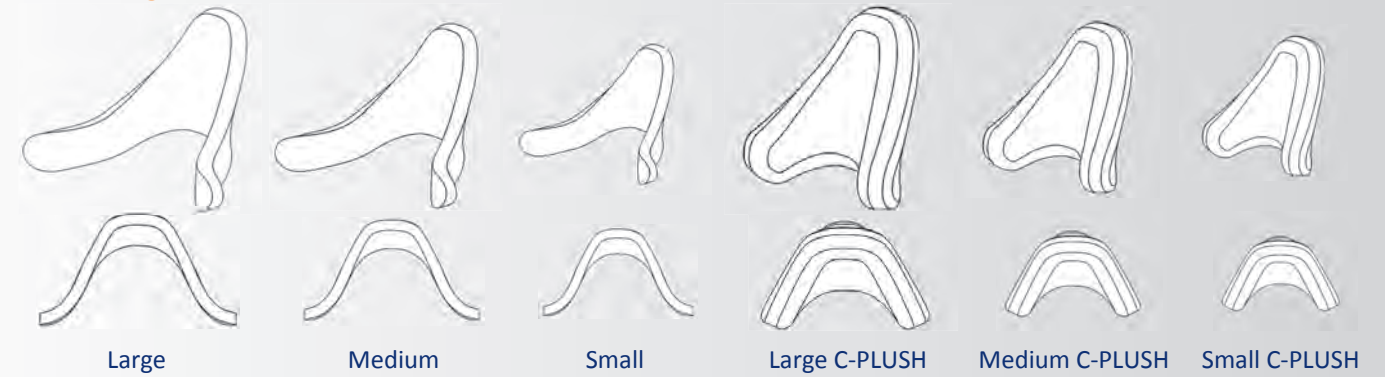
Check out the CONTOURED CRADLE's versatility and adjustability in action. Scan this QR code to view now!

[www.YouTube.com/user/JAYCushionsandBacks](https://www.YouTube.com/user/JAYCushionsandBacks)  
Click on the playlist:  
"Whitmyer Headrest Adjustment Systems"



## CONTOURED CRADLE ORDERING GUIDE

### DETERMINE PAD SIZE



### 2 SELECT HARDWARE SYSTEM AND PAD COVER (BASED ON PAD SIZE)

	AXYS	ONYX	LINX	PRO	COBRA XTRA	COBRA XTRA Flip Back
	Part Numbers (Cover selection: L=Lycra V=Dartex Reversed)					
Large	AXYS-CCS4 L AXYS-CCS4 V	ONYX-CCS4 L ONYX-CCS4 V	LINX-CCS4 L LINX-CCS4 V	PRO-CCS4 L PRO-CCS4 V	COBRA-CCS4 L COBRA-CCS4 V	FB-COBRA-CCS4 L FB-COBRA-CCS4 V
Med	AXYS-CCS3 L AXYS-CCS3 V	ONYX-CCS3 L ONYX-CCS3 V	LINX-CCS3 L LINX-CCS3 V	PRO-CCS3 L PRO-CCS3 V	COBRA-CCS3 L COBRA-CCS3 V	FB-COBRA-CCS3 L FB-COBRA-CCS3 V
Small	AXYS-CCS2 L AXYS-CCS2 V	ONYX-CCS2 L ONYX-CCS2 V	LINX-CCS2 L LINX-CCS2 V	PRO-CCS2 L PRO-CCS2 V	COBRA-CCS2 L COBRA-CCS2 V	FB-COBRA-CCS2 L FB-COBRA-CCS2 V
Large C-PLUSH	AXYS-CCP4 L AXYS-CCP4 V	ONYX-CCP4 L ONYX-CCP4 V	LINX-CCP4 L LINX-CCP4 V	PRO-CCP4 L PRO-CCP4 V	COBRA-CCP4 L COBRA-CCP4 V	FB-COBRA-CCP4 L FB-COBRA-CCP4 V
Med C-PLUSH	AXYS-CCP3 L AXYS-CCP3 V	ONYX-CCP3 L ONYX-CCP3 V	LINX-CCP3 L LINX-CCP3 V	PRO-CCP3 L PRO-CCP3 V	COBRA-CCP3 L COBRA-CCP3 V	FB-COBRA-CCP3 L FB-COBRA-CCP3 V
Small C-PLUSH	AXYS-CCP2 L AXYS-CCP2 V	ONYX-CCP2 L ONYX-CCP2 V	LINX-CCP2 L LINX-CCP2 V	PRO-CCP2 L PRO-CCP2 V	COBRA-CCP2 L COBRA-CCP2 V	FB-COBRA-CCP2 L FB-COBRA-CCP2 V

### 3 SELECT MOUNTING BRACKET FOR HARDWARE SYSTEM

	Mounting Brackets				
Detachable					COBRA XTRA Hardware System includes detachable mounting bracket.
	M2500	M2100	M2300	M2200	
Swing-Away					Select COBRA XTRA Flip Back Hardware System for swing-away capability.
	M5500	M5100	M5300	M5200	

S.O.F.T. Single Sub-occipital Head Supports supply sub-occipital and proximal lateral cervical support via a single curved sub-occipital pad. Unique to our single sub-occipital system is the independent anterior/posterior occipital pad movement. Consistent, repeatable positioning of the client is required for best performance. The addition of lateral facial pads, switches, and anterior supports increase this system's versatility.

## S.O.F.T. SINGLE SUB-OCCIPITAL



Check out the S.O.F.T.'s versatility and adjustability in action.  
[www.YouTube.com/user/JAYCushionsandBacks](https://www.YouTube.com/user/JAYCushionsandBacks)  
 Click on the playlist: "Whitmyer Headrest Adjustment Systems"



## S.O.F.T. SINGLE ORDERING GUIDE

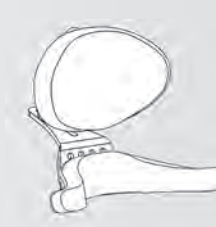
### DETERMINE PAD SIZE



SS10  
10" PLUSH occipital  
w/Adult Single Sub-occipital



SS8  
Adult occipital  
w/Adult Single Sub-occipital



SS4  
Adult occipital w/Paediatric  
Single Sub-occipital



SS3  
Paediatric occipital w/Paediatric  
Single Sub-occipital

### 2 SELECT HARDWARE SYSTEM AND PAD COVER (BASED ON PAD SIZE)

	AXYS	ONYX	LINX	PRO	COBRA XTRA	COBRA XTRA Flip Back
Pad Size						
	Part Numbers (Cover selection: L=Lycra V=Dartex Reversed)					
SS10	AXYS-SS10 L AXYS-SS10 V	ONYX-SS10 L ONYX-SS10 V	LINX-SS10 L LINX-SS10 V	PRO-SS10 L PRO-SS10 V	COBRA-SS10 L COBRA-SS10 V	FB-COBRA-SS10 L FB-COBRA-SS10 V
SS8	AXYS-SS8 L AXYS-SS8 V	ONYX-SS8 L ONYX-SS8 V	LINX-SS8 L LINX-SS8 V	PRO-SS8 L PRO-SS8 V	COBRA-SS8 L COBRA-SS8 V	FB-COBRA-SS8 L FB-COBRA-SS8 V
SS4	AXYS-SS4 L AXYS-SS4 V	ONYX-SS4 L ONYX-SS4 V	LINX-SS4 L LINX-SS4 V	PRO-SS4 L PRO-SS4 V	COBRA-SS4 L COBRA-SS4 V	FB-COBRA-SS4 L FB-COBRA-SS4 V
SS3	AXYS-SS3 L AXYS-SS3 V	ONYX-SS3 L ONYX-SS3 V	LINX-SS3 L LINX-SS3 V	PRO-SS3 L PRO-SS3 V	COBRA-SS3 L COBRA-SS3 V	FB-COBRA-SS3 L FB-COBRA-SS3 V

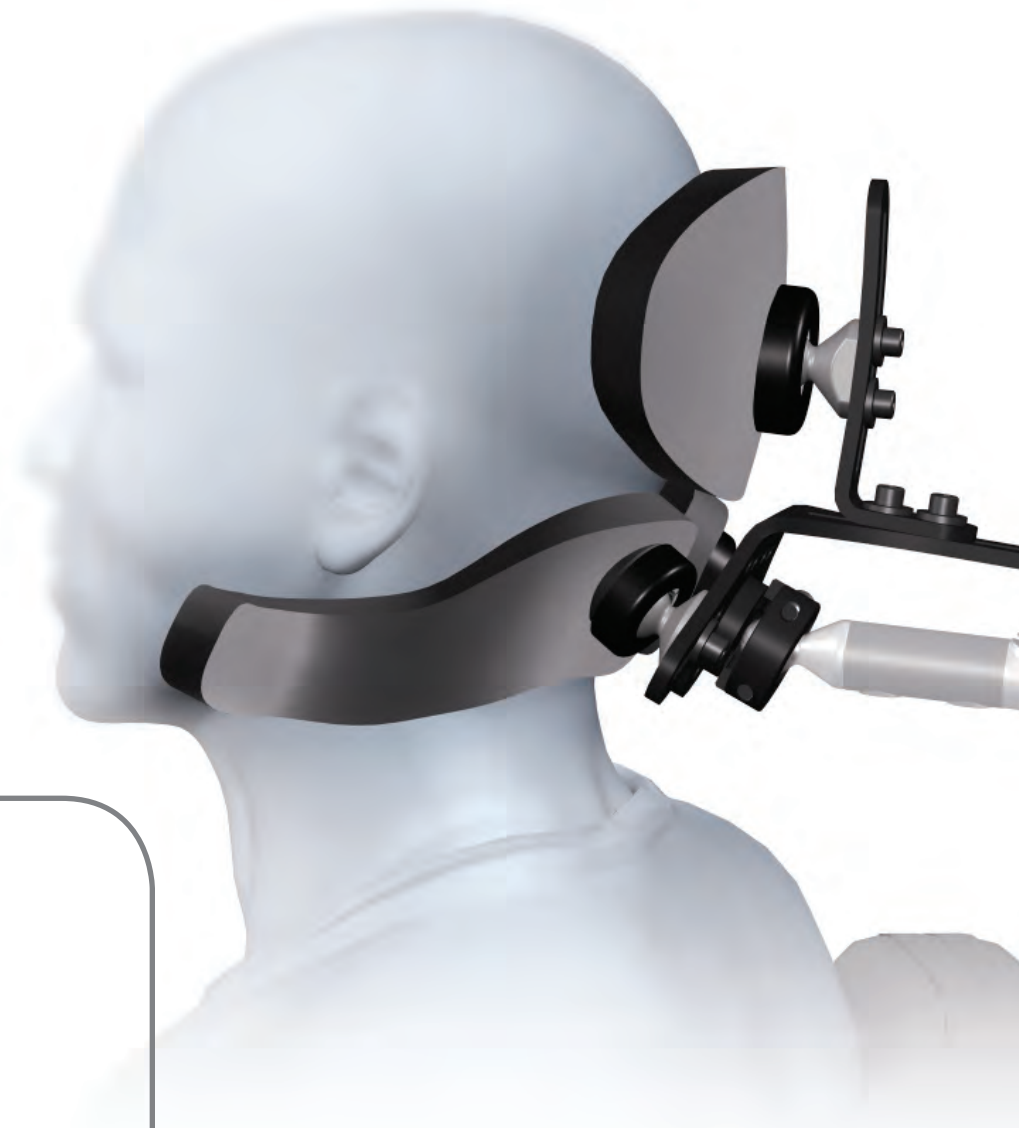
### 3 SELECT MOUNTING BRACKET FOR HARDWARE SYSTEM

	Mounting Brackets				
Detachable					COBRA XTRA Hardware System includes detachable mounting bracket.
	M2500	M2100	M2300	M2200	
Swing-Away					Select COBRA XTRA Flip Back Hardware System for swing-away capability.
	M5500	M5100	M5300	M5200	

S.O.F.T. Three Pad Head Supports solve the most challenging head positioning issues. This patented device combines two width and rotationally adjustable sub-occipital pads with an adjustable occipital pad for independent anterior/posterior movement. The added adjustability of the individual suboccipital pads allows adjustment to asymmetrical postures and deformities. This unique pad configuration supplies maximum occipital and proximal lateral cervical support for more aggressive positioning and comfort. Consistent, repeatable positioning of the client is required for best performance. Attaching lateral facial pads, switches, and/or anterior supports adds to this system's versatility.

## S.O.F.T. DUAL SUB-OCCIPITAL

ADULT & PAEDIATRIC



Check out the S.O.F.T.'s versatility and adjustability in action.

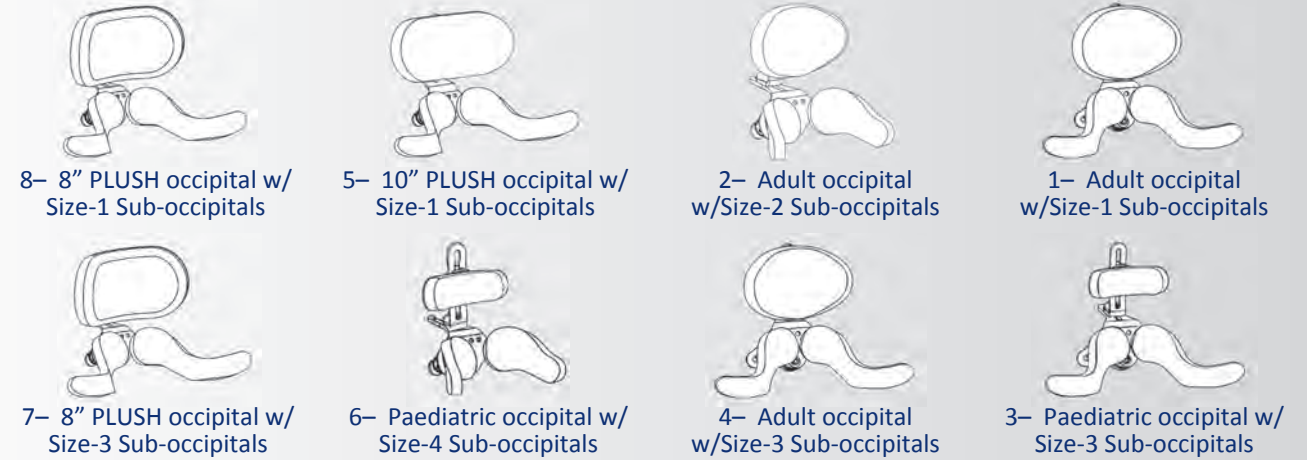
[www.YouTube.com/user/JAYCushionsandBacks](https://www.YouTube.com/user/JAYCushionsandBacks)  
Click on the playlist:  
"Whitmyer Headrest Adjustment Systems"

Scan this QR code to view now!



## S.O.F.T. DUAL ORDERING GUIDE

### DETERMINE PAD SIZE



### SELECT HARDWARE SYSTEM AND PAD COVER (BASED ON PAD SIZE)

2

	AXYS	ONYX	LINX	PRO	COBRA XTRA	COBRA XTRA Flip Back
Pad Size						
	Part Numbers (Cover selection: L=Lycra V=Dartex Reversed)					
8	AXYS-8 L AXYS-8 V	ONYX-8 L ONYX-8 V	LINX-8 L LINX-8 V	PRO-8 L PRO-8 V	COBRA-8 L COBRA-8 V	FB-COBRA-8 L FB-COBRA-8 V
5	AXYS-5 L AXYS-5 V	ONYX-5 L ONYX-5 V	LINX-5 L LINX-5 V	PRO-5 L PRO-5 V	COBRA-5 L COBRA-5 V	FB-COBRA-5 L FB-COBRA-5 V
2	AXYS-2 L AXYS-2 V	ONYX-2 L ONYX-2 V	LINX-2 L LINX-2 V	PRO-2 L PRO-2 V	COBRA-2 L COBRA-2 V	FB-COBRA-2 L FB-COBRA-2 V
1	AXYS-1 L AXYS-1 V	ONYX-1 L ONYX-1 V	LINX-1 L LINX-1 V	PRO-1 L PRO-1 V	COBRA-1 L COBRA-1 V	FB-COBRA-1 L FB-COBRA-1 V
7	AXYS-7 L AXYS-7 V	ONYX-7 L ONYX-7 V	LINX-7 L LINX-7 V	PRO-7 L PRO-7 V	COBRA-7 L COBRA-7 V	FB-COBRA-7 L FB-COBRA-7 V
6	AXYS-6 L AXYS-6 V	ONYX-6 L ONYX-6 V	LINX-6 L LINX-6 V	PRO-6 L PRO-6 V	COBRA-6 L COBRA-6 V	FB-COBRA-6 L FB-COBRA-6 V
4	AXYS-4 L AXYS-4 V	ONYX-4 L ONYX-4 V	LINX-4 L LINX-4 V	PRO-4 L PRO-4 V	COBRA-4 L COBRA-4 V	FB-COBRA-4 L FB-COBRA-4 V
3	AXYS-3 L AXYS-3 V	ONYX-3 L ONYX-3 V	LINX-3 L LINX-3 V	PRO-3 L PRO-3 V	COBRA-3 L COBRA-3 V	FB-COBRA-3 L FB-COBRA-3 V

### SELECT MOUNTING BRACKET FOR HARDWARE SYSTEM

3

	Mounting Brackets				
Detachable					COBRA XTRA Hardware System includes detachable mounting bracket.
	M2500	M2100	M2300	M2200	
Swing-Away					Select COBRA XTRA Flip Back Hardware System for swing-away capability.
	M5500	M5100	M5300	M5200	

The Heads Up is an innovative head support designed to maximize clients' interaction with their environment by providing anterior, posterior and lateral support of the head and neck. It features swing-out, adjustable arms to easily accommodate client transfers and varying client presentations.

## HEADS UP

### ANTERIOR AND LATERAL STABILIZATION OF SHOULDERS AND TRUNK FOR OPTIMAL HEAD CONTROL

- Innovative anterior stabilization arms
- Swing-out for easy transfer that maintains head support
- Lower lateral adjustments to accommodate varying body shapes

### TWO DIFFERENT INDUSTRY-PROVEN

#### POSTERIOR SUPPORT OPTIONS:

- Contoured Cradle
- Single Sub-Occipital

### CHIN PAD INCLUDED



Check out the HEADS UP's versatility and adjustability in action.

[www.YouTube.com/user/JAYCushionsandBacks](https://www.YouTube.com/user/JAYCushionsandBacks)  
Click on the playlist:  
"Whitmyer Headrest Adjustment Systems"

Scan this QR code to view now!



## HEADS UP ORDERING GUIDE

The Heads Up features easy to create Smart Part numbers for configuring the headrest. Follow the 7 easy steps below to generate a part # that can be added into our online ordering system or ordered through customer service.

**EXAMPLE SMART PART #:** AXYS-HU-ITSSL Heads Up with AXYS Hardware - Infant Size, Tall Height, Short Arms, Standard Foam, Lycra (Neoprene) Cover

**1 SELECT HARDWARE SYSTEM** Begin part # with hardware selection followed by -HU for Heads

AXYS	ONYX	LINX	PRO	COBRA XTRA	COBRA XTRA Flip Back
AXYS-HU-	ONYX-HU-	LINX-HU-	PRO-HU-	COBRA-HU-	FBCOB-HU-

**2 SELECT NECK WIDTH (MAXIMUM)** Add Selection to Smart Part #

Infant (2.8")	Small (3.5")	Medium (4.1")	Large (5.3")
I	S	M	L



**3 SELECT PAD HEIGHT** Add Selection to Smart Part #

Tall	Short
T	S



**4 SELECT SWING-OUT SUPPORT ARM LENGTH** Add Selection to Smart Part #

Short	Long
S	L



Infant & Small	Medium & Large
Short: 5.6"	Short: 7"
Long: 7.3"	Long: 9"

**5 SELECT FOAM TYPE** Add Selection to Smart Part #

Standard	Comfort
S	C

	Infant	Small	Medium	Large
Standard	0.4"	0.5"	0.6"	0.7"
Comfort	0.6"	0.6"	0.8"	0.9"

**6 SELECT COVER** Add Selection to Smart Part #

Lycra (Neoprene)	Reversed Dartex
L	V

IF YOU DO NOT WANT TO ADD AN OCCIPITAL PAD, YOUR PART NUMBER IS COMPLETE. IF YOU DO, PLEASE PROCEED TO STEP 7.

**7 SELECT OPTIONAL OCCIPITAL PADS\*** Add Selection to Smart Part #

\*Available on short heights only.

Paediatric 5" Pad (for Short Infant size)	Adult 6" Pad (for Short Small size)	Plush 8" Pad (for Short Medium size)	Plush 10" Pad (for Short Large size)
-05	-06	-08	-10

### SELECT MOUNTING BRACKET FOR HARDWARE SYSTEM

		Mounting Brackets for:					
		AXYS	ONYX	LINX	PRO	COBRA XTRA	COBRA XTRA Flip Back
Detachable Swing-Away		M2500	M2100	M2300	M2200	COBRA XTRA Hardware System includes detachable mounting bracket.	
		M5500	M5100	M5300	M5200	Select COBRA XTRA Flip Back Hardware System for swing-away capability.	



Cuddles infant three pad head support and contoured cradle head support offer the same innovative technology as the adult versions, just sized for an infant.

## CUDDLES INFANT

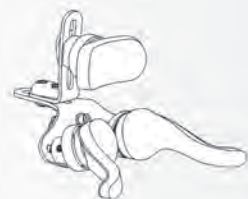
Lateral Facial Pads can be configured to accommodate or block lateral flexion deviations and/or rotation patterns or function to supply general support surfaces or switch placement above the cervical level. A rearward mounting hardware pivot point allows the pads to move out-of-the-way during transfers or when not in use. Curved ball rods allow placement of pads around the head laterally or anteriorly. A choice of 7 uniquely shaped pad sizes, 5 of which are malleable; ensure the ability to match the pad with the area needing support.

## LATERAL FACIAL SUPPORTS



### ORDERING GUIDE

#### DETERMINE PAD SIZE



S.O.F.T. Infant Occipital w/Infant Sub-occipitals



CCS Infant Contoured Cradle Pad

#### SELECT HARDWARE SYSTEM AND PAD COVER (BASED ON PAD SIZE)

2

	AXYS	ONYX
Pad Size		
	Part Numbers	
S.O.F.T.	AXYS-INFT L AXYS-INFT V	ONYX-INFT L ONYX-INFT V
CCS	AXYS-CCS1 L AXYS-CCS1 V	ONYX-CCS1 L ONYX-CCS1 V

Cover selection:  
L=Lycra  
V=Dartex Reversed

#### SELECT MOUNTING BRACKET FOR HARDWARE SYS-

3

	Mounting Brackets	
Detachable		
	M2500	M2100
Swing-Away		
	M5500	M5100

### CUDDLES INFANT ANTERIOR & LATERAL SUPPORTS

**Forehead Strap**

INFT500

**Unilateral Support**

INFT700

**Bilateral Support**

INFT750

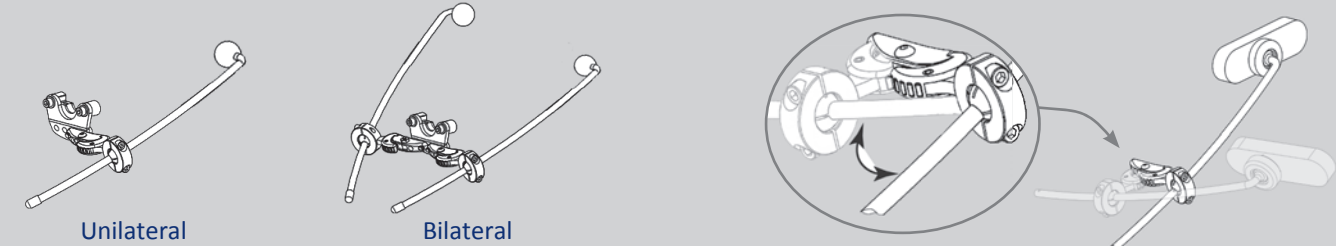
Check out the CUDDLES INFANT's versatility and adjustability in action.  
www.YouTube.com/user/JAYCushionsandBacks  
Click on the playlist:  
"Whitmyer Headrest Adjustment Systems"

Scan this QR code to view now!



Part numbers for the pads and hardware are listed below. Hardware is swing-away and must be ordered with the pad part number.

NOTE: All lateral supports come with swing-away hardware



	SPOT	STANDARD	LONG	OVAL	LARGE-C	MED-C	SMALL-C	FSO-B
	Part Numbers							
Unilateral	Plush & Spec.Plush LFC10-PL & LM115 Cont.Cradle/Heads Up	Plush & Spec.Plush LFC15-PL & LM115 Cont.Cradle/Heads Up	Plush & Spec.Plush LFC20-PL & LM115 Cont.Cradle/Heads Up	Plush & Spec.Plush LFC25-PL & LM115 Cont.Cradle/Heads Up	Plush & Spec.Plush LFC30-PL & LM115 Cont.Cradle/Heads Up	Plush & Spec.Plush LFC35-PL & LM115 Cont.Cradle/Heads Up	Plush & Spec.Plush LFC40-PL & LM115 Cont.Cradle/Heads Up	Plush & Spec.Plush LFC80-PL & LM115 Cont.Cradle/Heads Up
	S.O.F.T. Single,Adult/Peds LFC10-CS & LM115	S.O.F.T. Single,Adult/Peds LFC15-CS & LM115	S.O.F.T. Single,Adult/Peds LFC20-CS & LM115	S.O.F.T. Single,Adult/Peds LFC25-CS & LM115	S.O.F.T. Single,Adult/Peds LFC30-CS & LM115	S.O.F.T. Single,Adult/Peds LFC35-CS & LM115	S.O.F.T. Single,Adult/Peds LFC40-CS & LM115	S.O.F.T. Single,Adult/Peds LFC80-CS & LM115
Bilateral	Plush & Spec.Plush LFC10-PL2 & (2) LM115 Cont.Cradle/Heads Up	Plush & Spec.Plush LFC15-PL2 & (2) LM115 Cont.Cradle/Heads Up	Plush & Spec.Plush LFC20-PL2 & (2) LM115 Cont.Cradle/Heads Up	Plush & Spec.Plush LFC25-PL2 & (2) LM115 Cont.Cradle/Heads Up	Plush & Spec.Plush LFC30-PL2 & (2) LM115 Cont.Cradle/Heads Up	Plush & Spec.Plush LFC35-PL2 & (2) LM115 Cont.Cradle/Heads Up	Plush & Spec.Plush LFC40-PL2 & (2) LM115 Cont.Cradle/Heads Up	Plush & Spec.Plush LFC80-PL2 & (2) LM115 Cont.Cradle/Heads Up
	S.O.F.T. Single,Adult/Peds LFC10-CS2 & (2) LM115	S.O.F.T. Single,Adult/Peds LFC15-CS2 & (2) LM115	S.O.F.T. Single,Adult/Peds LFC20-CS2 & (2) LM115	S.O.F.T. Single,Adult/Peds LFC25-CS2 & (2) LM115	S.O.F.T. Single,Adult/Peds LFC30-CS2 & (2) LM115	S.O.F.T. Single,Adult/Peds LFC35-CS2 & (2) LM115	S.O.F.T. Single,Adult/Peds LFC40-CS2 & (2) LM115	S.O.F.T. Single,Adult/Peds LFC80-CS2 & (2) LM115

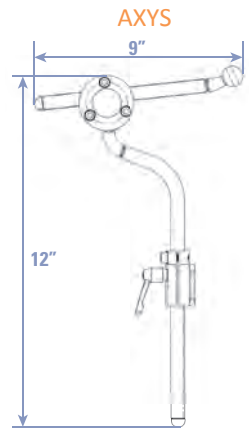
Anterior Supports are excellent for low tone individuals with poor head balance, individuals exhibiting forward flexion patterns, or individuals who require an upright head position for medical reasons, i.e. compromised respiration and swallowing. Successfully used for task oriented applications, such as classroom interaction or during meals. The addition of a Strap Cap brings a low profile solution to anterior support for individuals who may not be successful with the strap.

## ANTERIOR SUPPORT OPTIONS

	DYNAMIC FOREHEAD STRAP	DFS <sup>2</sup>	STRAP CAP	STATIC FOREHEAD STRAP
	Part Numbers			
Adult	DFS10	DFSQ10	CAP10 (black)	HU10
Peds	DFS30	DFSQ30	CAP30-R (red) CAP30-B (blue)	HU10

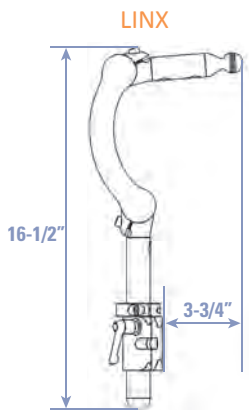
## MOUNTING HARDWARE OPTIONS

Each head support pad is available with most of the hardware options listed below. Part numbers for order can be found on the detailed head support product pages.



**AXYS** is a compact mounting system that features a black chrome finish combined with a 1/2" steel square rod. It was designed for rigorous applications, ease of adjustment, and simple modifications.

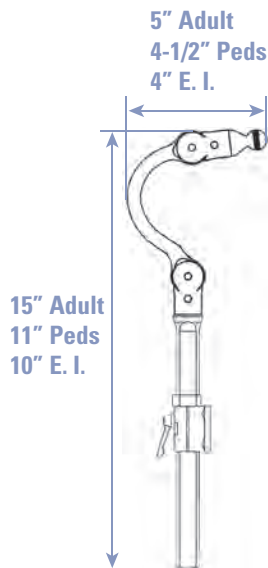
Height: 12"  
Horizontal Depth: 6"  
Pitch Adjustment: 30°



**LINX** is a contemporary styled mounting hardware that combines two simple, unique points of adjustment which allows full anterior/posterior fluid movement, creating an infinite range of support surface placement. It features satin black tubing with contrasting polished aluminum clamps and knurled mounting ball ensures stay-in-place adjustments.

Height adjustment: 7"  
Horizontal Depth: 8.5" forward, 3/4" rearward  
Pitch Adjustment: 30°

### COBRA XTRA

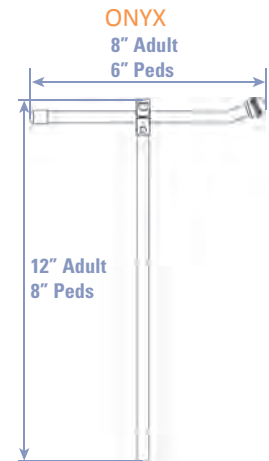


The **COBRA XTRA** Mounting System incorporates a sleek and unobtrusive design that eliminates protrusions towards the rear of the chair. With superior strength and positioning range, the **COBRA XTRA** Mounting System is available in Small (Early Intervention and Paediatric), Medium (Paediatric), and Large (Adult). The components are modular and easily changed in the field to enable exact positioning of the head support pad – even if the user's head position changes from the time of the initial prescription.

**Adult**  
Height adjustment: 6.5"  
Horizontal Depth Adj: 6.5" forward, 2" rearward  
Pitch Adjustment: 30°

**Paediatric**  
Height adjustment: 3.5"  
Horizontal Depth Adj: 5" forward, 1.5" rearward  
Pitch Adjustment: 30°

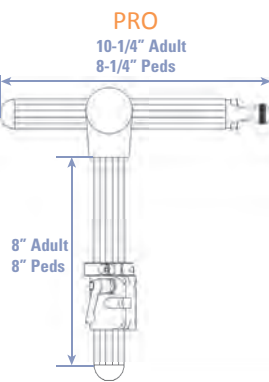
**Early Intervention**  
Height adjustment: 3.5"  
Horizontal Depth Adj: 4" forward, 1/2" rearward  
Pitch Adjustment: 30°



**ONYX** is a compact mounting solution that features a black chrome finish combined with a small profile 7/8" steel rod. It was designed for rigorous applications, ease of adjustment, and simple modifications.

**Paediatric**  
Height adjustment: 8"  
Horizontal Depth Adj: 1" to 6"  
Pitch Adjustment: 30°

**Adult**  
Height adjustment: 11"  
Horizontal Depth Adj: 1" to 8"  
Pitch Adjustment: 30°



The **PRO** Mounting System is a proven hardware option for demanding applications. This mounting system features 1.25" aluminum extrusion and is ideal for use when client strength or strong tonal patterns are an issue.

**Paediatric**  
Height adjustment: 6"  
Horizontal Depth Adj: 1.5" forward, 6" rearward  
Pitch Adjustment: 45°

**Adult**  
Height adjustment: 6"  
Horizontal Depth Adj: 1.5" forward, 8" rearward  
Pitch Adjustment: 45°

### COBRA XTRA Flip Back



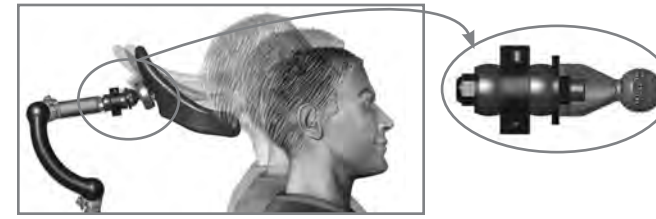
The **COBRA XTRA Flip Back** Mounting System is operated by a single push-button on the side of the bracket and neatly flips the assembly back behind the wheelchair back. With superior strength and positioning range, the **COBRA XTRA Flip Back** Mounting System is available in Small (Early Intervention and Paediatric), Medium (Paediatric), and Large (Adult). The components are modular and easily changed in the field to enable exact positioning of the head support pad – even if the user's head position changes from the time of the initial prescription.

**Adult**  
Height adjustment: 6.5"  
Horizontal Depth Adj: 6.5" forward, 2" rearward  
Pitch Adjustment: 30°

**Paediatric**  
Height adjustment: 3.5"  
Horizontal Depth Adj: 5" forward, 1.5" rearward  
Pitch Adjustment: 30°

**Early Intervention**  
Height adjustment: 3.5"  
Horizontal Depth Adj: 4" forward, 1/2" rearward  
Pitch Adjustment: 30°

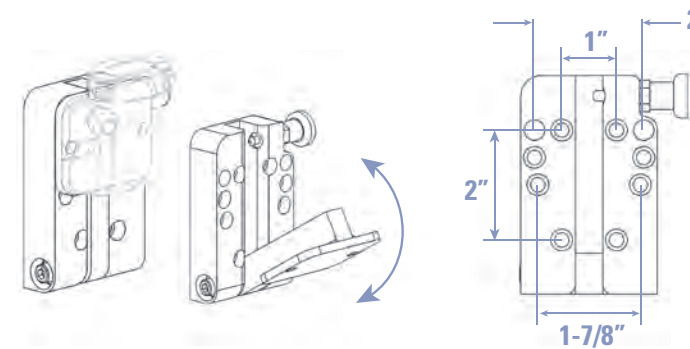
## CUSTOM MOUNTING OPTIONS



### FLEX INTERFACE BRACKET

The **Flex Interface Bracket** provides upward flex, travel, and return when the head support is extended against. This dynamic motion assists in maintaining head support contact throughout the user's extensor pattern. The **Flex Interface Bracket** utilizes elastomeric bushings engineered to supply the correct resistance-to-force while allowing the head support to return to the adjusted position. Used between the head support mount and contact surface, the **Flex Interface Bracket** can be used with most Whitmyer head support accessories.

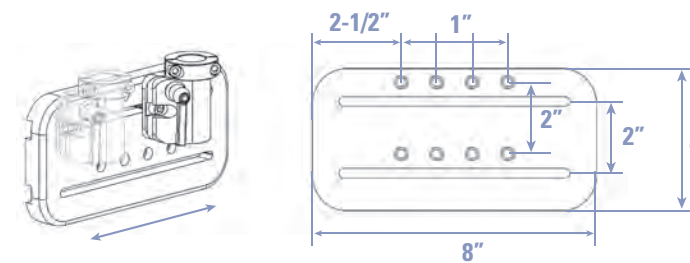
Part Number: M9450



### UNIVERSAL SWING-AWAY MOUNT

Whitmyer detach brackets attach to our universal swing-away mount. When attached to the swing-away mount, the assembly becomes a combination detach/swing-away mounting bracket.

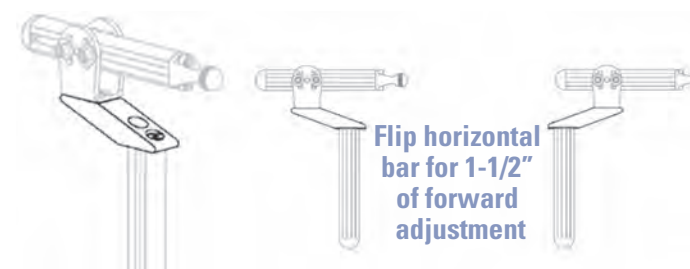
Part Number: M5000



### SLIDE MOUNT

This slotted plastic plate allows the headrest/head support to be positioned in a more perpendicular fashion behind the head of individuals who present with a significant amount of asymmetry. The plate bolts into the chair's existing hole pattern and allows 4" of movement left or right. Perfect for trying off-set head support locations, adjusting for misplaced T-nut locations and relocating the head support to be more in line with the direction of applied forces.

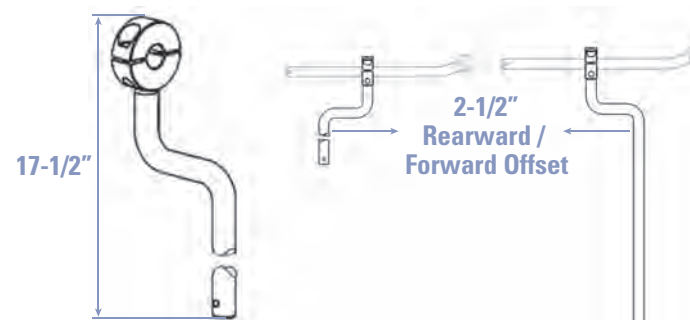
Part Number: M7010



### PRO OFF-SET MOUNTING SYSTEM

**PRO** system off-set bracket provides 2-1/2" of rearward adjustment to the horizontal bar. Flipping the horizontal bar will also allow for 2-1/2" of forward adjustment.

Part Number: PRC7070



### ONYX REARWARD OFF-SET VERTICAL ROD

**ONYX** off-set vertical rod provides 2-1/2" of rearward/forward adjustment to the horizontal rod.

Part Number: OX6030