



Power Add-On Bike for
Everybody, Everyday and Everywhere



AUSTRALIA

Empulse | Power Add-On Bike



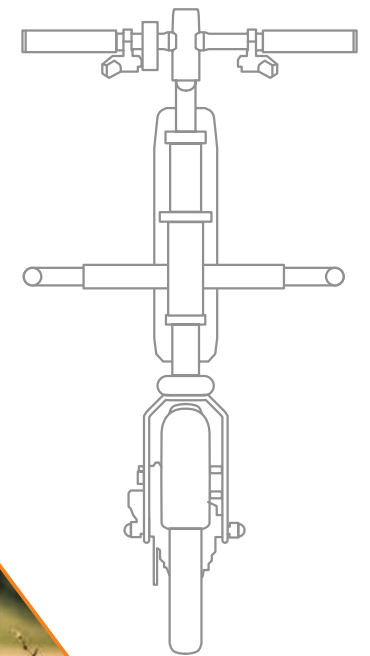
Empulse F55
8.5" Drive Wheel



Empulse F55
14" Drive Wheel

EXTRA POWER FOR YOUR WHEELCHAIR

**INCREASED
PERFORMANCE**



YOUR PERFECT COMPANION EITHER IN THE COUNTRY OR IN THE CITY

Smartly designed to provide you that extra bit of independence and freedom. The Empulse F55, as a new member of our e-mobility family, allows you to travel further, save your strength and experience pure driving pleasure.

Ultra-compact and easy to dock so you can upgrade your wheelchair with extra power, whenever it is needed. The ideal solution when you don't want to use your car and for a more environmentally friendly solution – or if you just want to have fun.



**ENJOY
THE
RIDE**

**HAVE
FUN**





GOES WHEREVER YOU WANT TO GO

Life in the city is dynamic and vibrant. Keep up with it, enjoy mobility and flexibility.

Narrow lifts, narrow streets, narrow corridors in the supermarket?
No big deal thanks to a super small turning circle.

Activate the cruise control and do not worry about using the throttle lever all the time. The Empulse F55 will hold the selected speed for more easing for you.

Would you like to be a little further away?

No worries, the IATA certified battery simplifies your travelling.

With the Empulse F55 you can make your way and focus on the essentials. Perfect for meeting your friends at the cafe!



MOBILITY HAS NEVER BEEN SO EASY

The powerful brushless electric motor and the optimised traction will help you tackle every terrain.

**NO
LIMITS**

KEY FEATURES

POWERBANK

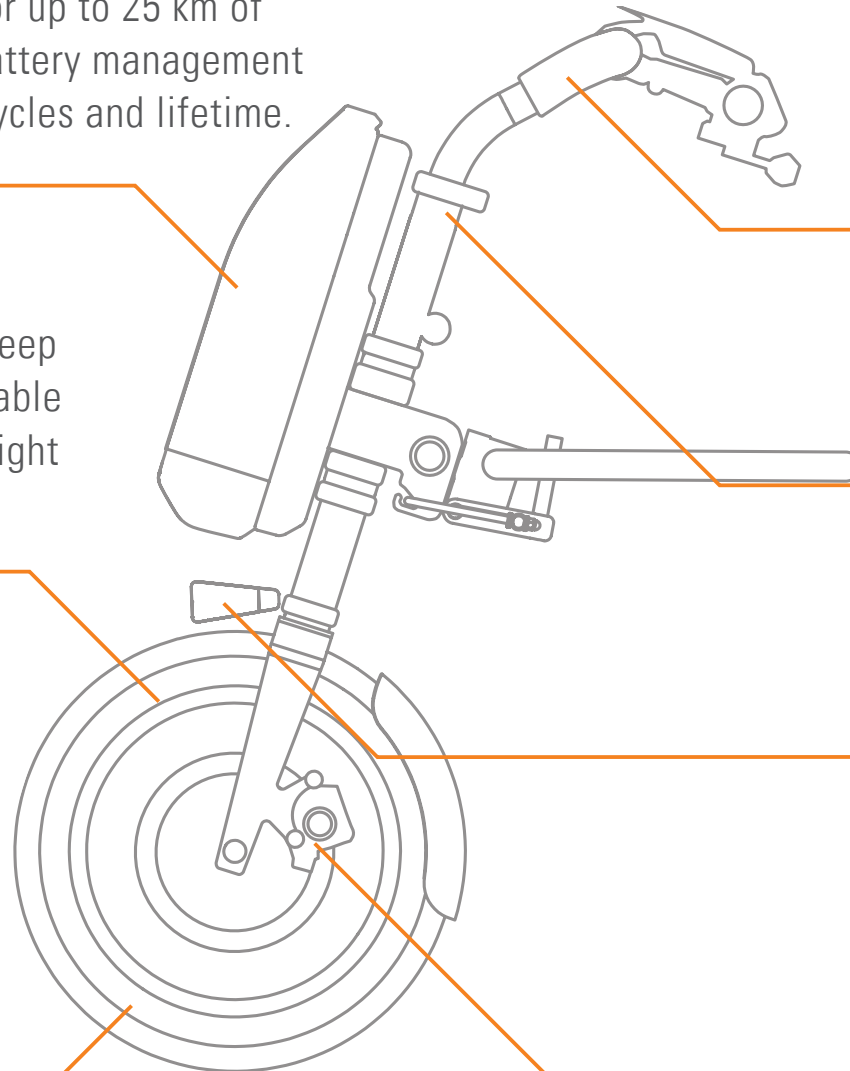
8.1 Ah capacity Li-Ion battery for up to 25 km of range and with an intelligent battery management system for improved charging cycles and lifetime.

TRACTION

This is what matters most on steep uphill sections. The fully adjustable Empulse F55 lets you adjust weight balance and optimise traction.

IT'S UP TO YOU

Whether you want to manoeuvre your Empulse F55 through the urban jungle with the 8,5" wheel or enjoy the increased ride comfort of a 14" wheel.



DISPLAY

Full control with the easy to read display: speed mode, trip distance, total distance, battery condition and power consumption.

RIDE COMFORTABLY

On-the-fly adjustability for the position of the handlebar.

LIGHTS YOUR PATH

LED front light is a standard option on the Empulse F55.

STOPPING POWER

Two independent brake systems for increased safety: non-wearing electric brake or powerful disc brake.

OUT YOU GO



TRANSPORTING THE F55

Thanks to the flip up sub frame, the Empulse F55's pack size can be minimised within seconds: flip the frame, insert the steering tube and you will get a handy package that can be stowed away easily. If necessary, the sub frame can even be fully detached.



YOU'RE JUST A FEW SECONDS AWAY...

...from your urban and outdoor adventures. With the easy-to-use docking-mechanism, your Empulse F55 can be docked to all types of wheelchairs and within seconds becomes a powerful companion in your daily life.

Drive wheel 8.5", solid tyre, docking for fixed-front wheelchairs.



Drive wheel 14", pneumatic tyre, docking for fixed-front wheelchairs.



Drive wheel 8.5", solid tyre, docking for swing-away wheelchairs with longer sub frame tubes and swan-necked steering tube.



AT YOUR SIDE WHENEVER IT MATTERS...



SIMPLY CLIP AND GO

STEP 1

Lift and bring the F55 powerbike subframe arms in to the tapered receivers

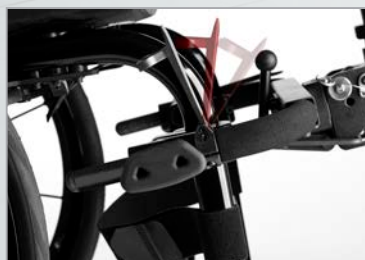


Tapered frame receivers

With a tapered front-end, the receivers are easy to fit the sub frame arms into, as this design gently guides it in.

STEP 2

Tighten the receiver screws and flip down the securing clips



STEP 3

Turn the locking pin and with either one or two hands push the bike up until you hear a click



Light lift and lock design

Once docked the F55 is light to push up, lifting the front castors off the ground. Ideal even with limited strength.

STEP 4

Lift the clamp to remove the play between the bike and the chair for a smoother ride



Be Secured

The lift clamp is designed to reduce the play that exists between a chair and an add-on device, meaning you can feel safe and secure in your F55.

STEP 5

Once mounted simply turn the F55 on and off you go!



INTUITIVE DRIVE CONTROLS

1. Clear LCD Display - With this clean display you can easily monitor your speed, range or battery level whether in the day or driving at night

2. Throttle Control - Simply press to go! Easily adjust your speed by changing the pressure on the trigger to provide precise control in tighter environments

3. Forward & Reverse Control - Get yourself out of any situation by switching between forward or reverse making your manoeuvres hassle free

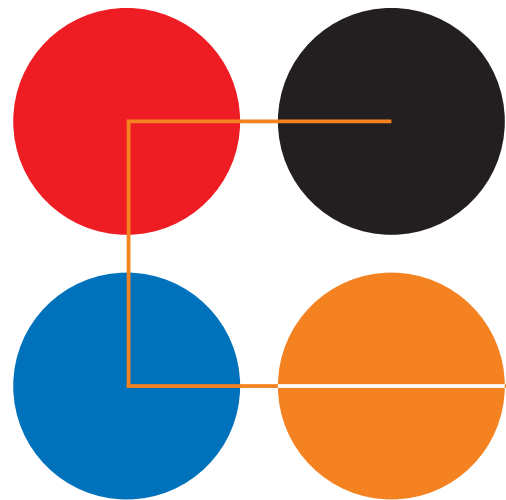
4. Cruise Control - Going on a long journey? Why not put on the cruise control to maintain your speed and give yourself a rest

5. Smooth Braking - Choose between a traditional disk brake for a quick stop or our NEW electronic brake which brings you to a stop smoothly with complete control

6. Bright LED Light - Take your F55 out in the evenings and see clearly with its integrated LED light



SHOW YOUR COLOURS



**FOR
FREE**

Individualisation made easy with the easy-to-change colour kits for fender and sidebars: black, blue, red and orange come as standard and can be changed quickly.



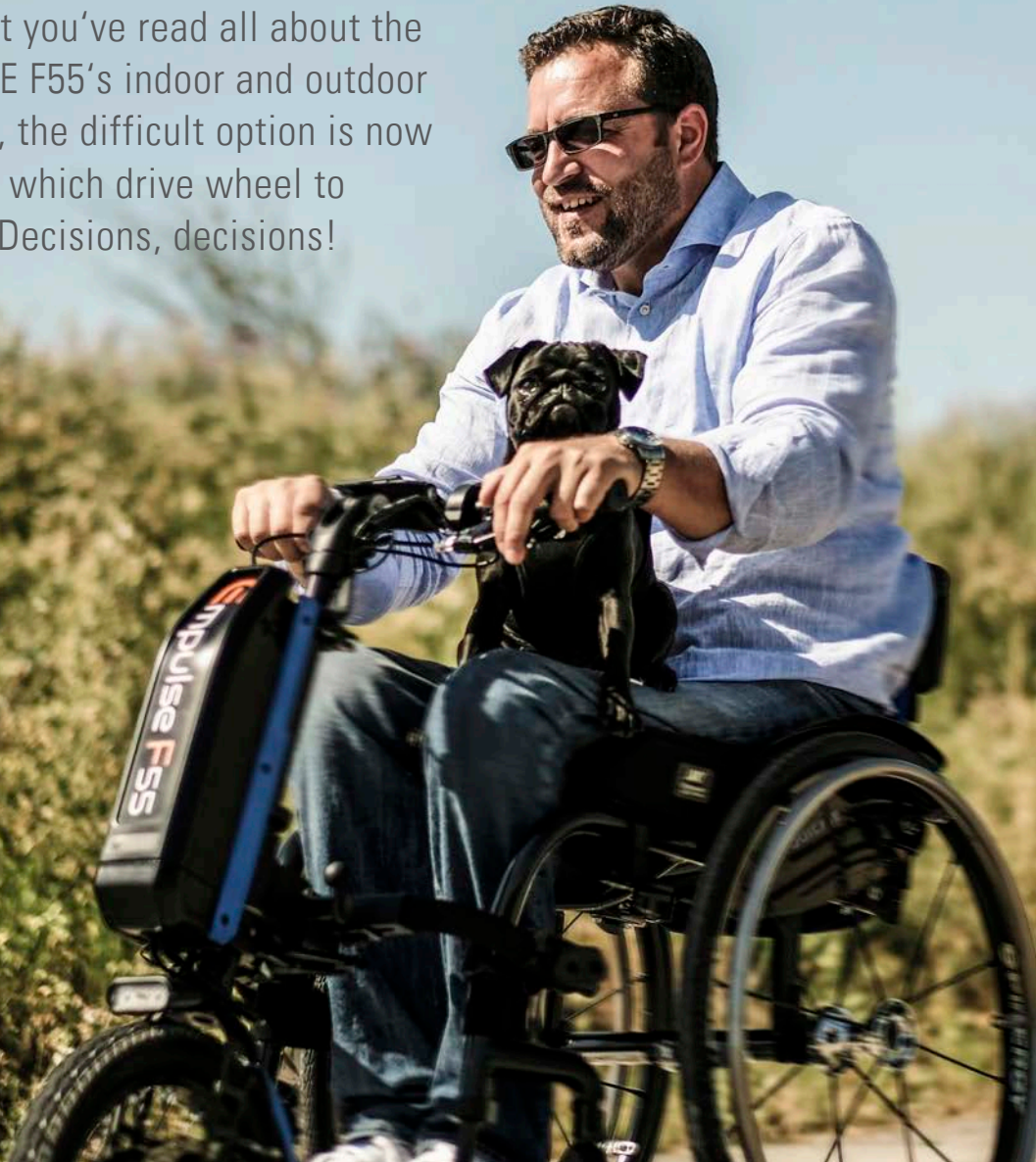
DESIGNED TO FIT YOU

- 1 Front Frame Widths: 10" - 19"
- 2 Handle Bar Stem Height: 0 - 6"
- 3 Handle Bar Angle: 0° - 70° (Quick release)
- 4 Sub Frame Length: 30 cm (Fixed Front) / 45 cm (Swing Away)
- 5 Battery Height (Optimise Traction)
- 6 Steer Dampening (Optimise Control)
- 7 Frame Clamp Angle & Height



WHICH WHEEL SIZE WILL YOU CHOOSE?

Now that you've read all about the EMPULSE F55's indoor and outdoor features, the difficult option is now deciding which drive wheel to choose. Decisions, decisions!



SUPERIOR INDOOR MANOEUVRABILITY

Fitted with an 8.5" solid drive wheel this smaller front wheel allows it to have a compact turning circle for improved indoor manoeuvrability and makes it easier to transfer into the boot and store. This F55 may be small in size, but it still boasts great capabilities for both indoor and outdoor in urban terrains.



8.5" Drive wheels provide a shorter base length for a tighter turning circle.



Lighter than the 14" and more compact for easier transportation in vehicles.



8.5"
WHEEL

GREATER OUTDOOR PERFORMANCE AND TILT

Do you want a power add-on bike to get around the office but also able to ride there? This F55 has a small footprint to navigate indoor environments combined with the traction, power and ride comfort to get you there! Even while taking shortcuts through the parks and canals, the 14" Empulse F55 is a power add-on bike for urban outdoor terrains.



Larger 14" drive wheels provide better traction and handling of outdoor terrain.



14"
WHEEL

Pneumatic wheels for increased grip and greater ride comfort.

TECHNICAL DATA OVERVIEW

Empulse F55

Operating Voltage	36 Volt
Range of action	25 km max.
Climbing power	up to 11% (6°)
Front frame width	10" - 19" ⁽¹⁾
Max. user weight	110 kg
Max. speed forward	15 kph
Battery type	Lithium-ion, 36V, 8.1 Ah
Battery weight	2 kg
Total weight with battery	From 13 kg
Total weight w/o battery	11 kg
Wheel size	8,5" air-chambered solid-tyre / 14" pneumatic tyre
Brake type	Twin-brake system: mechanical disc-brake and separate electric brake
Colour	Black
Colour accents (included in delivery)	Black, Red, Blue, Orange (Black mounted as default)

(1) Frame width measured from centre frame tube to centre frame tube at the mounting position. Use only the measured dimension and not the seat width to check compatibility.



Sunrise Medical Australia Pty Ltd.
11 Daniel Street
Wetherill Park NSW 2164
Phone: (02) 9678 6600
Email: enquiries@sunrisemedical.com.au
www.SunriseMedical.com.au

© 2021 Empulse F55 Brochure AU Rev B

For further information on the full specification, options and accessories, please refer to the order form. All information is subject to change without notification. Please consult Sunrise Medical with any queries you may have.

Pictures and illustrations may be overseas models and some seating and accessories not available in Australia.

If you are visually impaired, this document can be viewed in PDF format at SunriseMedical.com.au.